



SA-K7 Video Access Controller (Outdoor Unit)

User Manual V5.0

1. Specifications:

1.1 Technical parameters:

NO	Item	Value
1	Operating voltage	DC 12V±10%
2	Operating current	< 100mA
3	Dimensions	170mm×105mm×38mm
4	Weight	200g
5	Ambient temperature	-10℃—70℃
6	Relative humidity	20%—80%
7	Storage	1000users
8	Card type (alternative)	EM(ID) card(IC card for option)
9	Card reading distance	EM: 1—15CM, MF1: 1—7CM

1.2 Screen display indicates:

“H” flash	Standby state
“OPEN”	Unlocking state
“EEEEEE”	Invalid input
“-----”	Pending further action
4 digits	User ID
2 digits	Parameter

1.3 Factory Default:

Relay output	5 Seconds
Open mode	Card or Access Password Access Password include Private Access Password (PIN) and Common Access Password
Backlight	Auto
Security mode	OFF
Common Access Password	None

2. Installations Guide:

JP1 terminal:

NO	Mark	Color	Function
1	12V	Red	DC12V
2	GND	Black	GND
3	PUSH	Green	Low level output
4	NO	White	Relay NO output
5	COM	Brown	Relay Com output
6	NC	Blue	Relay NC output
7	OPEN	Purple	Door Release

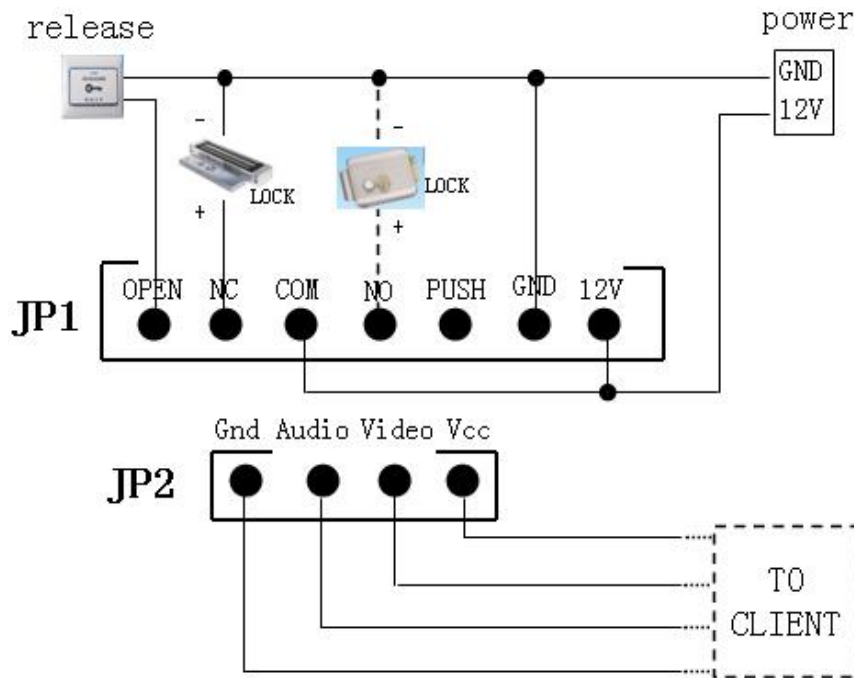


JP2 terminal:

NO	Mark	Color	Function
1	VCC(B+)	Red	Intercom Power input
2	VIDEO	Yellow	Intercom Video
3	AUDIO	Blue	Intercom Audio
4	GND	Black	Intercom Power GND

Remark: The wire connected Outdoor unit and Indoor unit must be or above RVV4×0.2.

Wiring diagram:



3. Programming Guide

3.1 Detailed Programming Guide:

Purpose	Operation	Remark
Basic Function	Change Programming Password # Programming Password # 0 new Programming Password #	If Programming Password lost, perform 3.2 to reset to Factory Default (123456).
	Add user card # Programming Password # 1 read card #	If add multi cards, read cards continuously
	Set Common Access Password # Programming Password # 21 new Common Access Password #	Common Access Password is only one. Open method: Common Access Password #
	Delete all users # Programming Password # 40 0000 #	Delete all cards and PIN except Common Access Password
	Delete user by read card # Programming Password # 41 read card #	If delete multi cards, read cards continuously
Expand Function	Add Private Access Password(PIN) # Programming Password # 22 PIN #	PIN can be more, Unlock door method: PIN #
	Add card by input card No. # Programming Password # 23 input card No. #	Card No. is 10-digit or 8-digit, machine auto-identify



Add multi-card by input card No. zone	# Programming Password # 24 input start card No. card Qty #	Card Qty is 4-digit (If one-time add twenty cards, input 0020)
Add "card +PIN"	# Programming Password # 3 read card PIN #	If modify PIN, see 3.5
Delete user by input User ID No.	# Programming Password # 42 input User ID No. #	About User ID No. see 3.4
Delete user by input card No.	# Programming Password # 43 input card No. #	Card No. is 10-digit or 8-digit, machine auto-identify
Delete user by input PIN	# Programming Password # 44 input PIN #	PIN is 3~6 digits.
Delete all PIN users	# Programming Password # 45 1111 #	Use to PIN users (Do not include Card users and Card +PIN users)
Change Open time	# Programming Password # 5 XX #	Open time is 2-digit, and the max. is 99. If input 00, the signal output time is 0.2 Secs.
Set Open mode—only card	# Programming Password # 6 01 #	In this mode: Unlock by read valid card.
Set Open mode—card or PIN	# Programming Password # 6 02 #	In this mode: Unlock by read valid card or input Access Password(Common and PIN).
Set Open mode—card + PIN	# Programming Password # 6 03 #	In this mode: Unlock by read valid card and input PIN.
Turn off security function	# Programming Password # 7 01 #	
Turn on security function	# Programming Password # 7 02 #	System would be locked for 5 Mins if continue to read illegal card or input wrong Access Password for 10 times.
Reset Factory Default	# Programming Password # 8 99 #	Except Programming Password and Manager Card
Set Manager Card	# Programming Password # 91 read MAC read MDC #	First read card set as Manager Add Card (MAC) to add card users. Second read card set as Manager Delete Card (MDC) to delete card users.

3.2 To reset to Factory Programming Password (123456)

- Step1. Turn off power and connect bin 2&3 of RST.
- Step2. Turn on power and buzzer gives long beep Continuously.
- Step3. Turn off power, disconnect bin2&3 and connect bin 1&2 of RST.
- Step4. Turn on power again.



3.3 How to use Manager Card – MAC&MDC

Direct standby operation, no need to enter the Programming state, no keys:

To add a card user:

To delete a card user:

To delete all users:

Remark: Cards can be added or deleted continuously.

3.4 User ID No. explain

User ID is auto-generating 4-digit number started at 0001. The number increases with adding user one by one and ignores deleting user. Common Access Password has no ID.

3.5 How to change PIN (When open mode: card+ PIN)

After reading card and input corresponding PIN to open the door, within 5 seconds, long press until the green LED lights with fast flash. and then input , buzzer gives a long voice, new PIN changed successfully.