



Touch Screen Metal Standalone Access

SA-TS22

1. Specifications:

> Technical parameters

Operating voltage	DC 12V±10%
Operating current	< 100mA
Dimensions	120mm×78mm×22mm
Weight	130g
Ambient temperature	-10 C ~ 70 C
Relative humidity	20% ~ 80%
Storage	1000users
Card type (alternative)	EM(ID) card(IC card for options)
Card reading distance	1 ~ 15CM

2. Factory default settings:

Programming Password	123456
Open Mode	Card or Access PIN
Output signal time	5secs
Backlight	Auto
Security function	Off
WG26Port	Input

3. LED and buzzer indicates: **Two-color LED: red and green**

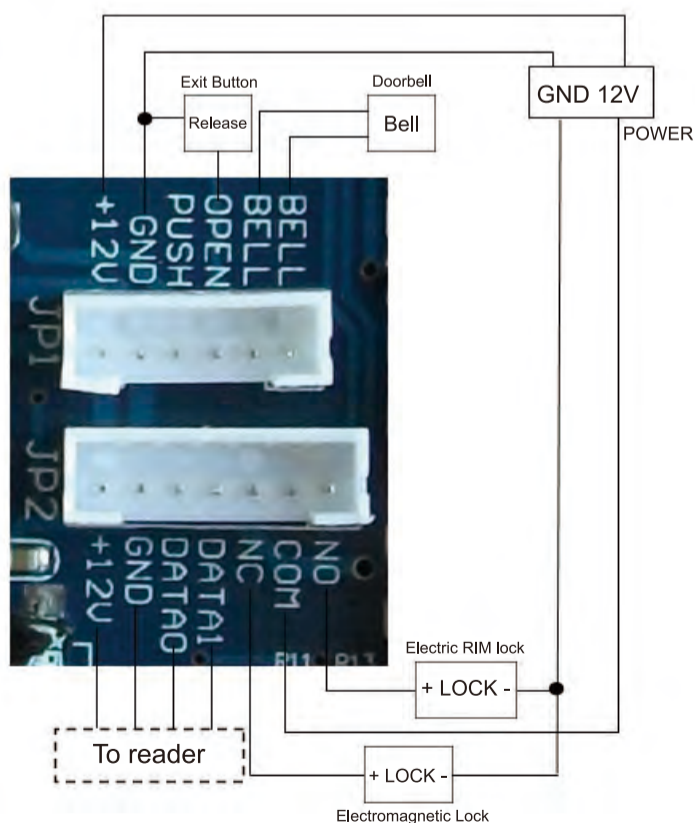
Led State	Access control status
light red once every 1 sec (Slow flash)	Holding state
light red, N.O.	Programming state
light green within Open time	Unlocking state
light green once every 0.3sec (Fast flash)	Pending further action

Sound: buzz

Description	Indicates
1 short buzz	Valid input
3 short buzz	Invalid input
1 long buzz	Program success
Continuous long buzz	Restoring factory programming passwords

4. Installing wiring diagram:

JP1			JP2		
PIN	Color	Function	PIN	Color	Function
+12V	Red	Power+	+12V	Red	Power+
GND	Black	Power-	GND	Black	Power-
PUSH	BLUE	Low level output	DATA0	GREEN	WG DATA0
OPEN	Yellow	Door Release	DATA1	White	WG DATA1
BELL	Grey	BELL	NC	Brown	Relay NC output
BELL	White	BELL	COM	BLUE	Relay Com output
			NO	PURPLE	Relay NO output



5. Access control function setting:

> Enter and exit programming mode

Step1: In holding state, press **#123456#**, access controller enter system programming state with LED lighting red and buzzer giving a short voice.

Step2: In Programming state input programming commands (See 5.2).

Step3: In programming state, press to exit.

Note: If there is no operation in 2mins system will exit programming state.

> Function setting

"0" key, modify the programming password:

Press 0 New password # New password again #

Note: programming password is 3~6 digits (Default: 123456)

"1" key, Log on card users

Press 1 User No. read card #

User No. is 4-digit: 0001~9999, and use to delete users.

Bellow we refer to user No. of "2" and "3" key are same.

Note: Read card continuously for logging on users continuously and exit by pressing #.

"2" key, Log on password users

Press 2 User No. Access PIN #

Note: Access PIN is 3~6 digits. An access PIN also accounts for one user.

"3" key, Log on card + password users

Press 3 User No. read card Access PIN #

When you add a user, each time you add a user successfully the buzzer gives a long voice .

If you added failed the buzzer gives 3 short voices . Failure may be due to: (1) User No. duplicates; (2) Card No. already exists; (3) store is full.

"4" key, delete the users

Press 4 0 0000 # Delete all users

Press 4 1 read card # Delete card user via reading card

Press 4 2 User No. # Delete card user via User No.

Press 4 3 input Card No. # Delete card user via input Card No.

Note: Enter the left 10 digits of the card No.

"5" key, modify Unlock Signal Output Time

Press 5 XX #

Note: "XX" is 2-digit: 00~99, Unit: second, "00" indicates moment unlock (0.2 seconds).

"6" key, set Open mode

Press 6 10 # Read valid card to open

Press 6 11 # Read valid card and enter Access PIN to open

Press 6 12 # Read valid card or enter Access PIN to open

Press 6 13 # As WG26 reader to use

"7" key, set Security mode

Press 7 00 # Turn off security function

Press 7 01 # Turn on security function(System would be locked for 5 Minutes when continue to (1) read illegal card 10 times or (2)read the valid card but enter wrong Access PIN 4 times or (3)enter wrong Access PIN 10 times).

Press 7 02 # Turn off Anti-dismantle alarm function

Press 7 03 # Turn on Anti-dismantle alarm function

"8" key, set Anti-dismantle, set backlight mode and restore factory settings

Press 8 01 # Backlight Normally Open

Press 8 02 # Backlight Normally Close

Press 8 03 # Backlight Automate: Backlight turn off in15 seconds if there are no operations.

Press 8 99 # Restore Factory settings.

> Programming Password initialization method

Step1. Turn off power and connect bin 2&3 of S1.

Step2. Turn on power and buzzer gives long voice Continuously.

Step3. Turn off power, disconnect bin2&3 and connect bin 1&2 of S1.

Step4. Turn on power again, the buzzer gives a long voice, Access controller initialization is completed. After initializing Programming Password default settings (123456), user data will not be lost.

6. User Open operation:

> Read card to open (Open mode: Card, Card or Access PIN)

In holding state read valid card, buzzer gives a short voice, LED lights green, Unlock signal outputs and door opens successfully.

> Enter Access PIN to open (Open mode: Card or Access PIN)

In holding state enter Access PIN #, buzzer gives a short voice, LED lights green, Unlock signal outputs and door opens successfully.

> Read card and enter Access PIN to open (Open mode: Card + Access PIN)

In holding state read card, buzzer gives a short voice, LED lights green with fast flash, then enter Access PIN # within 5 seconds, and buzzer gives a short voice, LED lights green, Unlock signal outputs and door opens successfully.

Note: If buzzer gives 3 short voices it indicates that the card or password is illegal and open failed.

> Change Access PIN (Open mode: card+ Access PIN)

After reading card and entering PIN to open the door, within 5 seconds, long press" #" until the LED lights green with fast flash. and then enter new Access PIN # repeat new Access PIN # , buzzer gives a long voice, Access PIN changed successfully.